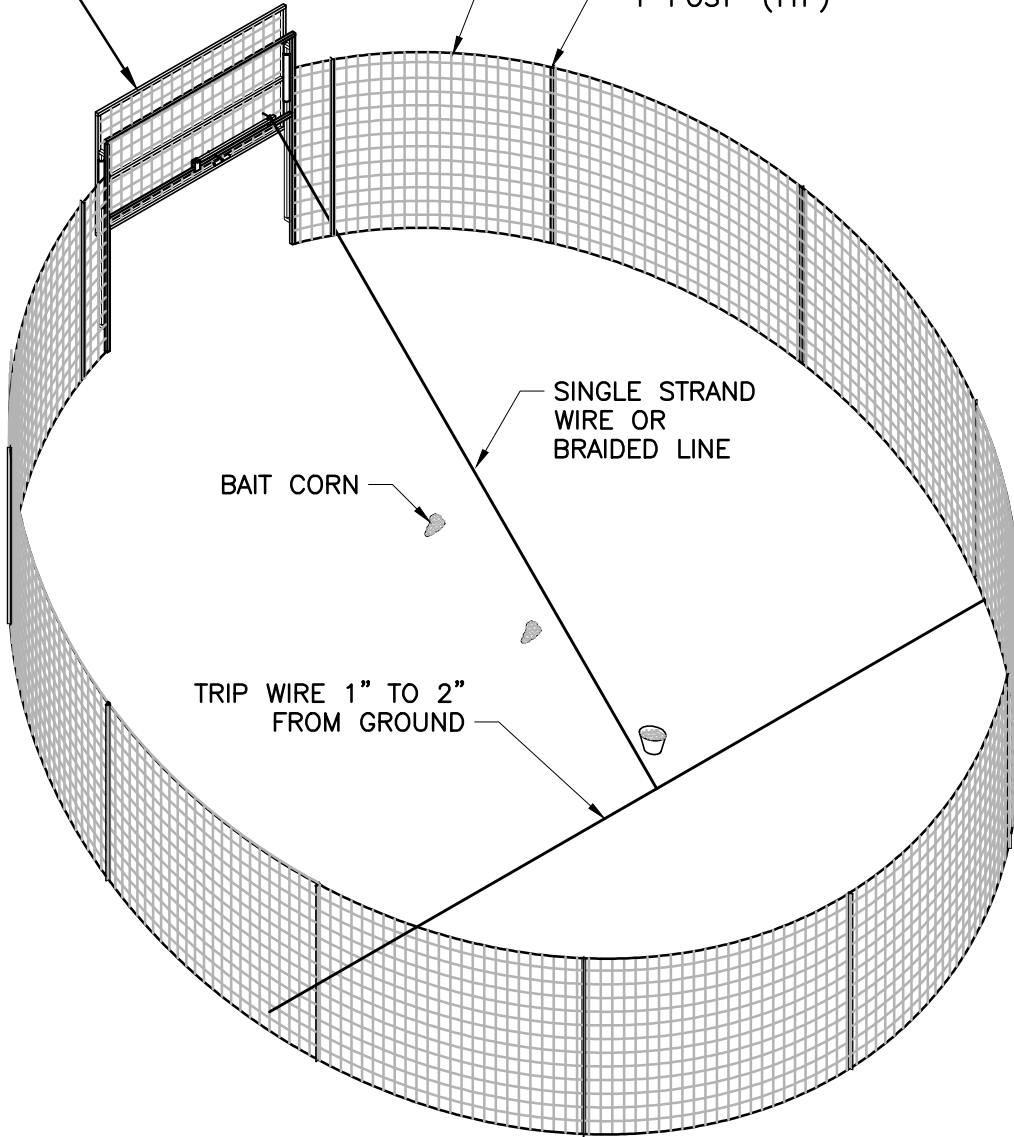


MISSOURI DROP GATE

(4-5) 16'x5' SECTIONS OF 4 GAUGE PANELS W/ 4"x4" SPACING. CONNECT TO "T-POSTS" W/ 14.5 GAUGE WIRE

"T-POST" (TYP)



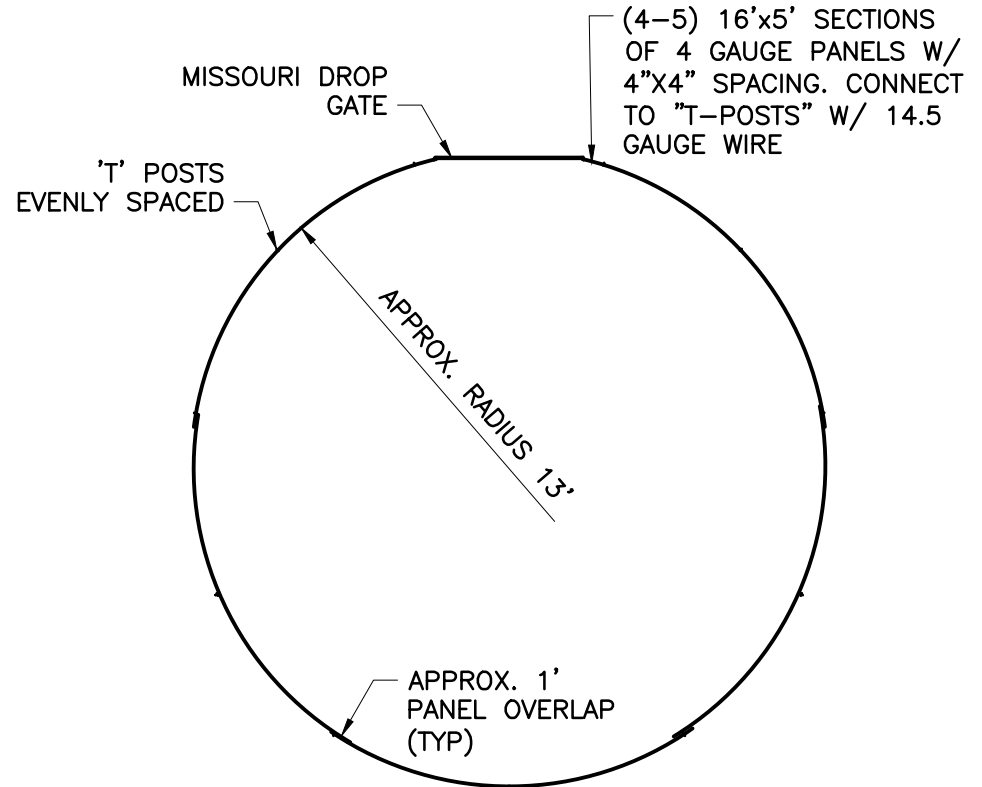
1

FENCE ISOMETRIC VIEW

SCALE: NOT TO SCALE

MATERIALS LIST

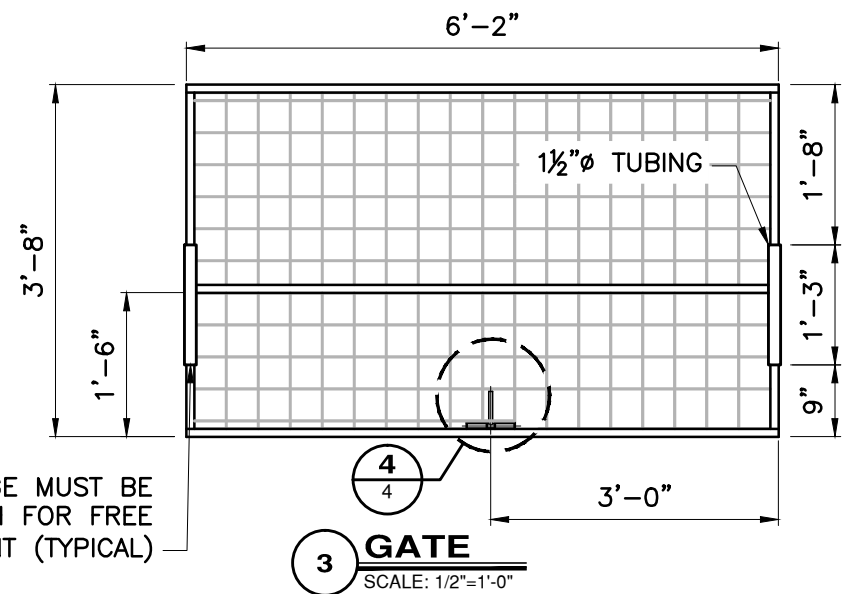
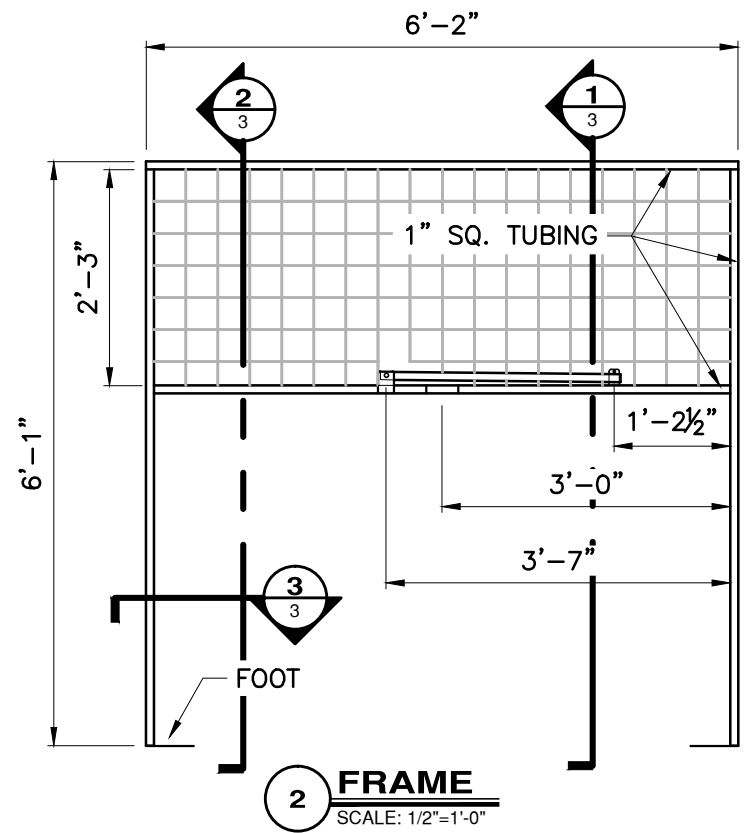
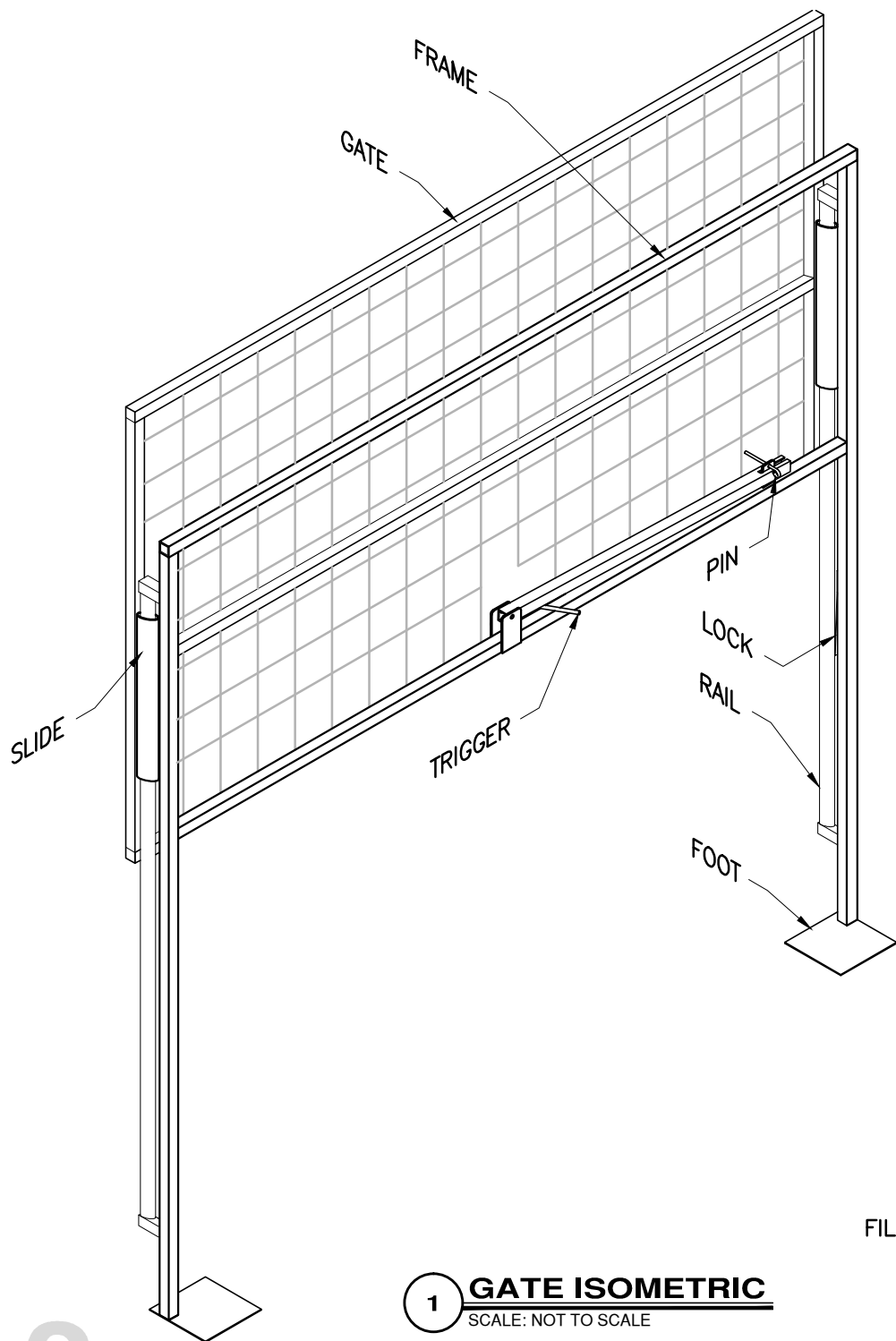
- 50' - 1"x1" 14 GAUGE SQ. TUBING
- 10' - 3/4" SCHEDULE 40 PIPE
- 3' - 1 1/2" OD ROUND TUBING W/.095 THICK WALL
- 1' - 6"x1/8" FLAT STOCK
- 1' - 1/2" COLD ROLL
- 1' - 1/4" ROUND STOCK
- 5" - 1 1/4"x1/8" FLAT STOCK
- 1 - 1/4"x2" BOLT, W/ FLAT, LOCK AND NUT
- 12' - WIRE PANELS, 4' TALL
- 5" - 3/4" OD ROUND TUBING W/.095 THICK WALL
- 13 - 6'-6" 'T' POSTS
- 5 - 4x4 WIRE PANELS 16' LONG x 5' HIGH
- 14.5 GAUGE WIRE - DOUBLED AND TWISTED
- 1' - 1 1/4"x8" 16 GAUGE SHEET METAL



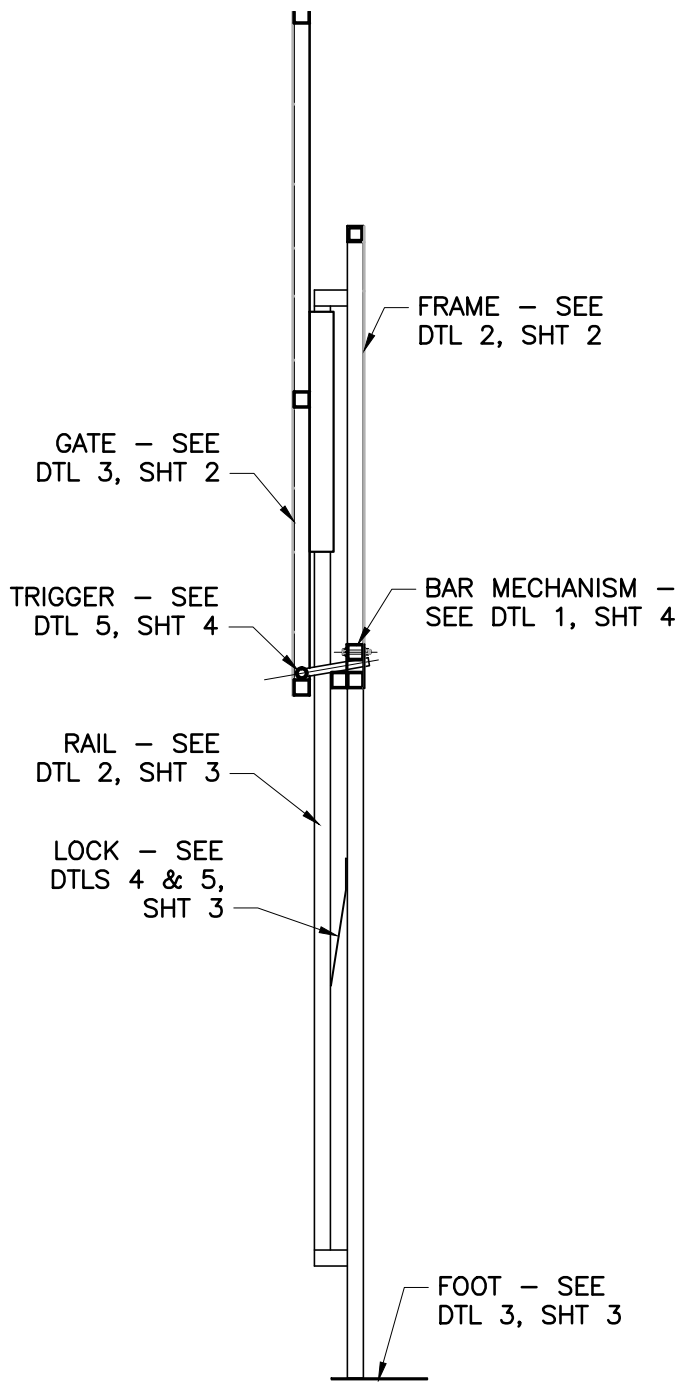
2

FENCE PLAN VIEW

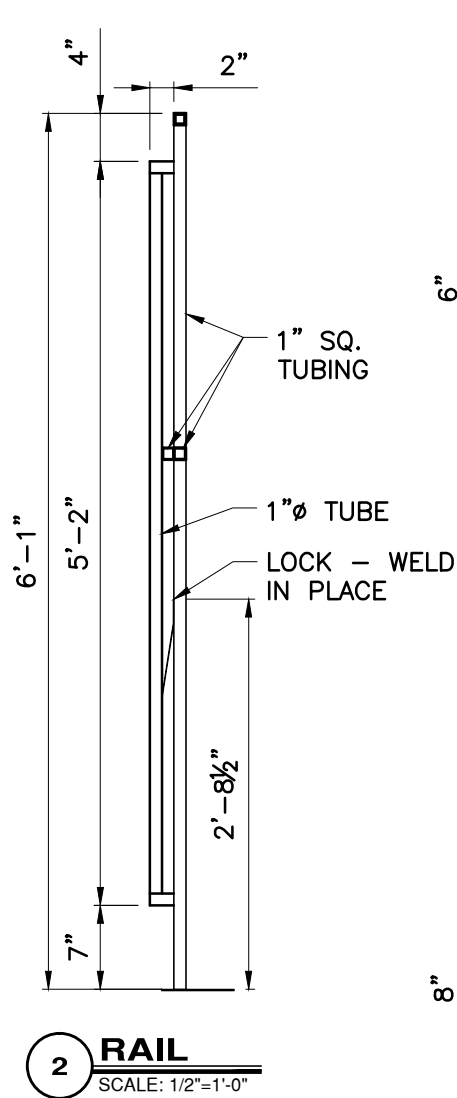
SCALE: 1/8"=1'-0"



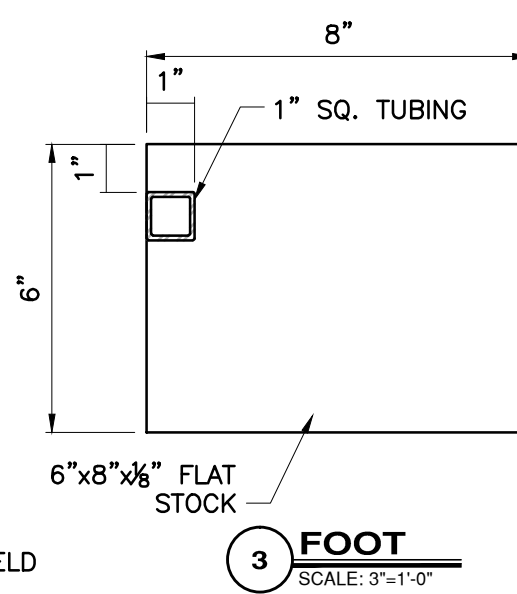
CUT EDGE MUST BE FILED SMOOTH FOR FREE MOVEMENT (TYPICAL)



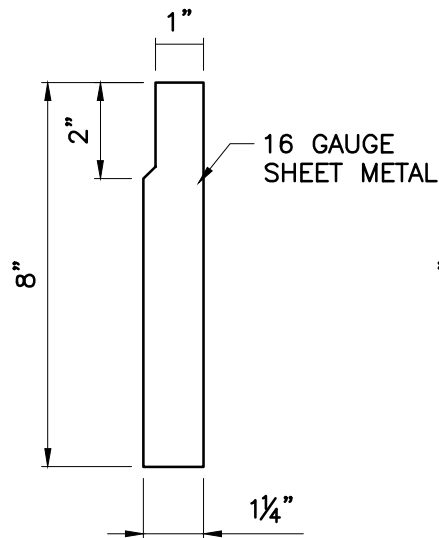
1 GATE SECTION
SCALE: 1"=1'-0"



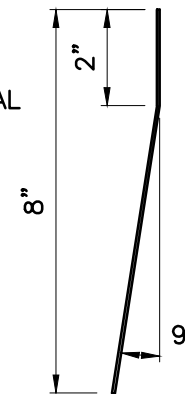
2 RAIL
SCALE: 1/2"=1'-0"



3 FOOT
SCALE: 3"=1'-0"



4 LOCK - PLAN
SCALE: 3"=1'-0"



5 LOCK - SIDE
SCALE: 3"=1'-0"

